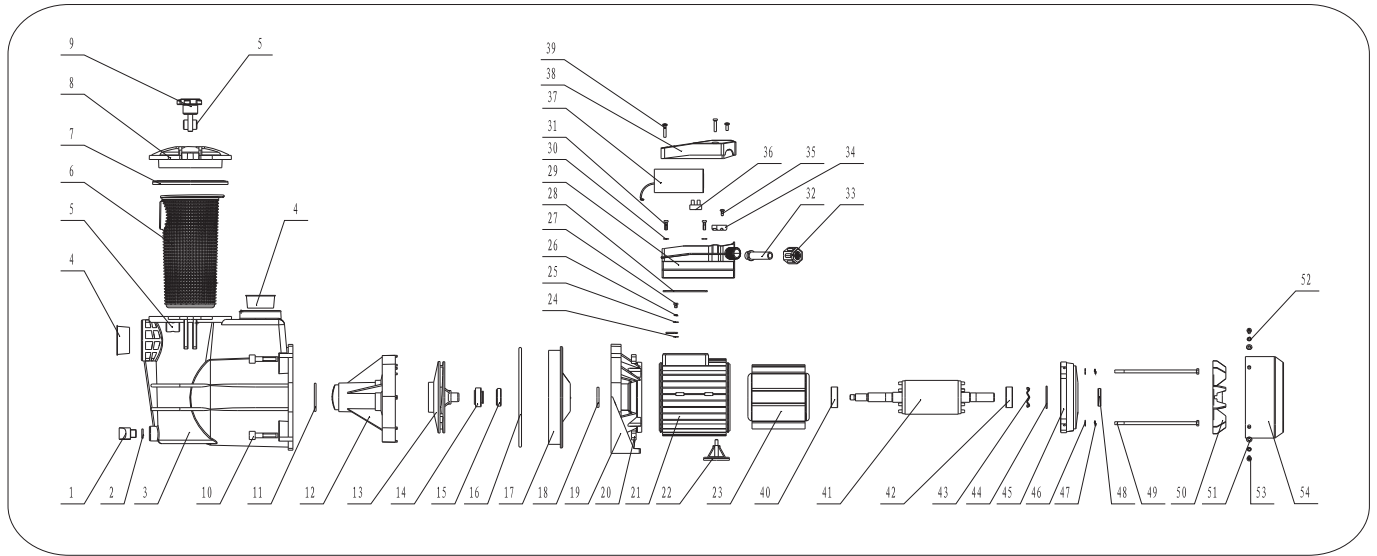


# SPARE PARTS

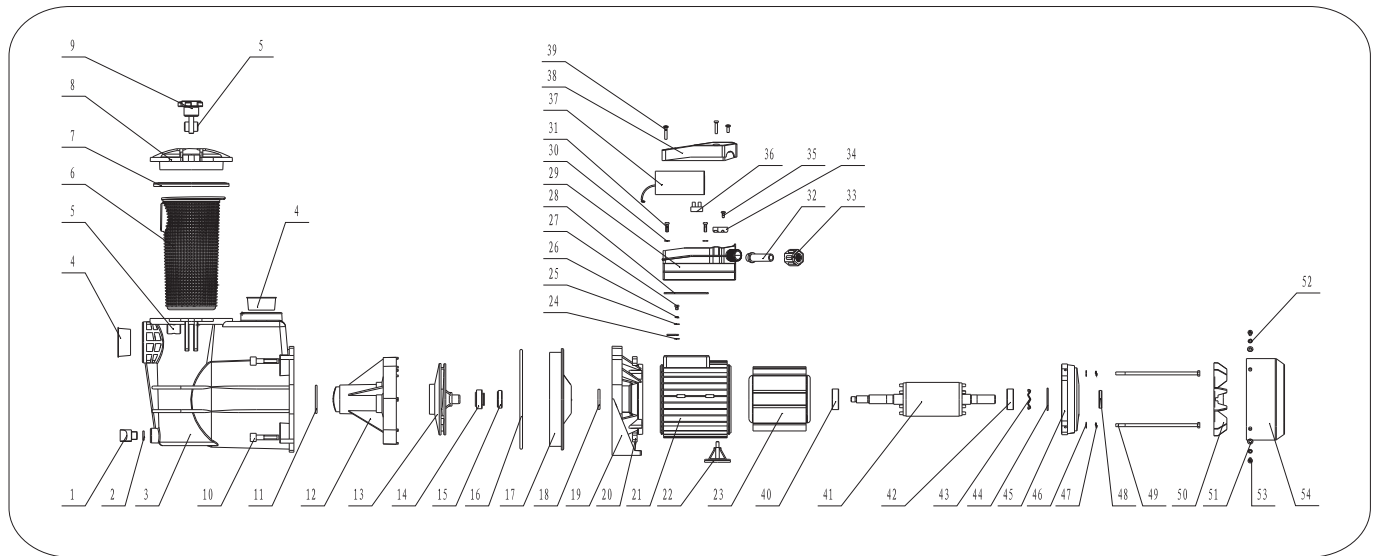


Item	Code No.	Part name	Amount	Remark
1	041.013.D	Pump drain plug	1	PPGF30%
2		Pump drain plug gasket	1	
3		Pump housing	1	PPGF30%
4		Plug	2	PE
5	043.M8.X-1	Filter thumb nut	2	Mr58
6	100.511.A	Filter basket	1	PP
7	015.119.Q	Filter cover gasket	1	EPDM
8	011.211.A	Filter cover	1	PS
9	042.M8*37.X	Filter thumb nut	2	ss+PPGF30%
10		Pump housing bolt	4	M8X40
11		Diffuser gasket	1	
12	013.723.B	Diffuser	1	ABSGF30
13	008.823.A	Impeller	1	ABSGF30
14	CM301-15P	Dynamic part(M.seal)	1	
15		static friction(M.seal)	1	
16		Pump housing gasket	1	
17	002.013.A	Intermediate housing	1	ABSGF30
18	014.000.A	Drip washer	1	
19	001.1831.A	Motor front cover	1	ZI102
20		Pump housing screw	4	M8X6.0
21		Stator housing	1	
22	007.083.A	Motor bracket	1	PP30%FV
23		Coil stator	1	50WW1300
24		External teeth lock washer	1	
25		Ground wire gasket	1	
26		Ground wire spring washer	1	
27		Ground wire screw	1	M4X8
28		Terminal box gasket	1	

Item	Code No.	Part name	Amount	Remark
29		Terminal box	1	
30		Terminal box screw gasket	4	
31		Terminal box screw	4	M4X12
32		Cable passage	1	
33		Cable press blot	1	
34	056.003.A	Cable fixed support	1	PP
35		Terminal plate screw	2	3.5X14
36		Terminal plate	1	
37		Capacitor	1	16uF
38		Terminal box cover	1	
39		Terminal box cover screw	3	3.5X12
40		Pump side motor bearing	1	6202
41	006.1844.4E	Rotor shaft	1	
42		Fan side motor bearing	1	
43		Spring washer	1	
44		Bearing housing gasket	1	
45		Motor end cover	1	
46		Motor screw gasket		
47		Motor screw spring washer	4	
48	017.107.A	Motor seal	1	
49		Motor screw	4	
50		Fan	1	71#
51		Fan cover spring washer	4	
52		Fan cover gasket	4	
53		Fan cover screw	4	M4X6
54	058.101.A	Fan cover	1	71#
55		Cable	1	H05RNF
56				

# SPARE PARTS

SPO 65

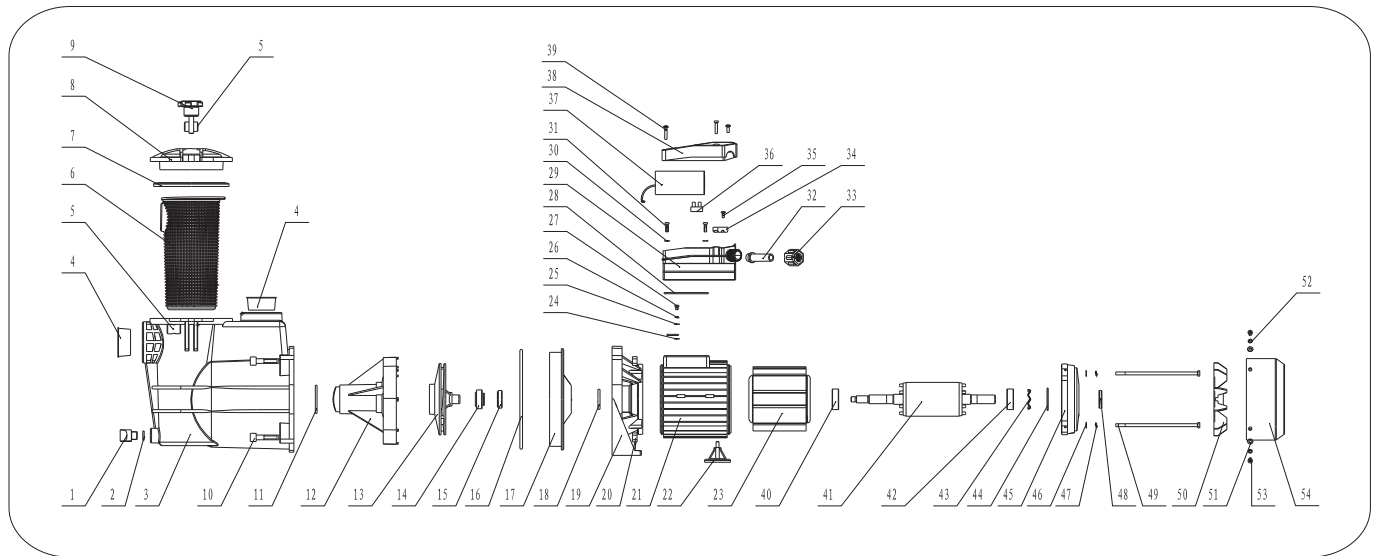


Item	Code No.	Part name	Amount	Remark
1	041.013.D	Pump drain plug	1	PPGF30%
2		Pump drain plug gasket	1	
3		Pump housing	1	PPGF30%
4		Plug	2	PE
5	043.M8.X-1	Filter thumb nut	2	Mr58
6	100.511.A	Filter basket	1	PP
7	015.119.Q	Filter cover gasket	1	EPDM
8	011.211.A	Filter cover	1	PS
9	042.M8*37.X	Filter thumb nut	2	ss+PPGF30%
10		Pump housing bolt	4	M8X40
11		Diffuser gasket	1	
12	013.723.B	Diffuser	1	ABSGF30
13	008.823.A	Impeller	1	ABSGF30
14	CM301-15P	Dynamic part(M.seal)	1	
15		static friction(M.seal)	1	
16		Pump housing gasket	1	
17	002.013.A	Intermediate housing	1	ABSGF30
18	014.000.A	Drip washer	1	
19	001.1831.A	Motor front cover	1	ZI102
20		Pump housing screw	4	M8X6.0
21		Stator housing	1	
22	007.083.A	Motor bracket	1	PP30%FV
23		Coil stator	1	50WW1300
24		External teeth lock washer	1	
25		Ground wire gasket	1	
26		Ground wire spring washer	1	
27		Ground wire screw	1	M4X8
28		Terminal box gasket	1	

Item	Code No.	Part name	Amount	Remark
29		Terminal box	1	
30		Terminal box screw gasket	4	
31		Terminal box screw	4	M4X12
32		Cable passage	1	
33		Cable press blot	1	
34	056.003.A	Cable fixed support	1	PP
35		Terminal plate screw	2	3.5X14
36		Terminal plate	1	
37		Capacitor	1	16uF
38		Terminal box cover	1	
39		Terminal box cover screw	3	3.5X12
40		Pump side motor bearing	1	6202
41	006.1844.4E	Rotor shaft	1	
42		Fan side motor bearing	1	
43		Spring washer	1	
44		Bearing housing gasket	1	
45		Motor end cover	1	
46		Motor screw gasket		
47		Motor screw spring washer	4	
48	017.107.A	Motor seal	1	
49		Motor screw	4	
50		Fan	1	71#
51		Fan cover spring washer	4	
52		Fan cover gasket	4	
53		Fan cover screw	4	M4X6
54	058.101.A	Fan cover	1	71#
55		Cable	1	H05RNF
56				

# SPARE PARTS

SPO 85



Item	Code No.	Part name	Amount	Remark
1	041.013.D	Pump drain plug	1	PPGF30%
2		Pump drain plug gasket	1	
3		Pump housing	1	PPGF30%
4		Plug	2	PE
5	043.M8.X-1	Filter thumb nut	2	Mr58
6	100.511.A	Filter basket	1	PP
7	015.119.Q	Filter cover gasket	1	EPDM
8	011.211.A	Filter cover	1	PS
9	042.M8*37.X	Filter thumb nut	2	ss+PPGF30%
10		Pump housing bolt	4	M8X40
11		Diffuser gasket	1	
12	013.723.B	Diffuser	1	ABSGF30
13	008.823.A	Impeller	1	ABSGF30
14	CM301-15P	Dynamic part(M.seal)	1	
15		static friction(M.seal)	1	
16		Pump housing gasket	1	
17	002.013.A	Intermediate housing	1	ABSGF30
18	014.000.A	Drip washer	1	
19	001.1831.A	Motor front cover	1	ZI102
20		Pump housing screw	4	M8X6.0
21		Stator housing	1	
22	007.083.A	Motor bracket	1	PP30%FV
23		Coil stator	1	50WW1300
24		External teeth lock washer	1	
25		Ground wire gasket	1	
26		Ground wire spring washer	1	
27		Ground wire screw	1	M4X8
28		Terminal box gasket	1	

Item	Code No.	Part name	Amount	Remark
29		Terminal box	1	
30		Terminal box screw gasket	4	
31		Terminal box screw	4	M4X12
32		Cable passage	1	
33		Cable press blot	1	
34	056.003.A	Cable fixed support	1	PP
35		Terminal plate screw	2	3.5X14
36		Terminal plate	1	
37		Capacitor	1	25uF
38		Terminal box cover	1	
39		Terminal box cover screw	3	3.5X12
40		Pump side motor bearing	1	6202
41	006.1844.4E	Rotor shaft	1	
42		Fan side motor bearing	1	
43		Spring washer	1	
44		Bearing housing gasket	1	
45		Motor end cover	1	
46		Motor screw gasket		
47		Motor screw spring washer	4	
48	017.107.A	Motor seal	1	
49		Motor screw	4	
50		Fan	1	71#
51		Fan cover spring washer	4	
52		Fan cover gasket	4	
53		Fan cover screw	4	M4X6
54	058.101.A	Fan cover	1	71#
55		Cable	1	H05RNF
56				